



Cleaning

Clean the unit occasionally with a damp (not wet) cloth. A dry cloth encourages the build-up of static electricity.

Make sure that the charging contacts are clean and free of grease.

Help

If you have problems with the installation or operation of this product, please call the helpline during office hours on 01438 749009.

If you suspect that your charging cradle is not working properly, please make sure that:

- The power adaptor is correctly plugged into the handset charging cradle.
- Your handset is correctly located in the charging cradle.
- Your handset batteries are correctly inserted into your handset.

For further information regarding the operation of the handset, please refer to the Casio DC5000 user guide.

Guarantee Procedure

If you believe your Casio Phonemate product is not functioning correctly, before returning for repair or exchange, please undertake the following:

- Ensure you have read and understood the instructions and are operating the product as described in the instructions.
- Read the Help and troubleshooting sections of this guide and the DC5000 guide, following any advice given for the problem you are experiencing.
- Call the Casio Phonemate helpline on the number shown below during office hours.

**Casio Phonemate Helpline
01438 749009**

The helpline staff are available during office hours and in many cases are able to help with a solution to problems, without requiring the product to be returned.

Guarantee Registration

To register your guarantee, please fill in the card enclosed with the product and return to **Lazerbuilt, 20 Gunnels Wood Park, Stevenage, Herts, SG1 2BH**

In the unlikely event that your Casio Phonemate product develops a fault within the first month of purchase, it should be returned (along with a copy of the purchase invoice) to your retailer who will replace it with a new one.

If it becomes faulty within the guarantee period but after the first month, it should be returned for repair to Lazerbuilt at the address shown above, either directly or via your retailer.

After the guarantee period, return your product to Lazerbuilt, indicating the problems. Include your Name and address and a cheque/Postal order for £5.00 to cover the handling charge. Lazerbuilt will then send you an invoice for the repair.



CASIO



CASIO

DC5001

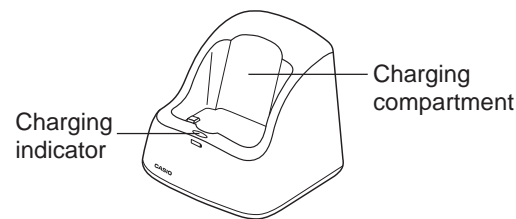


User Guide

IMPORTANT

This Casio DECT handset is for use with a Casio DC5000 DECT base station (or other GAP compatible DECT base station). It may be used to add an additional handset to an existing installation, or to replace the handset of an existing installation. It will not operate unless it has been registered on to a Casio DC5000 or other GAP compatible base station.

Before the handset can be used, the batteries must be charged and it must be registered with the base station.



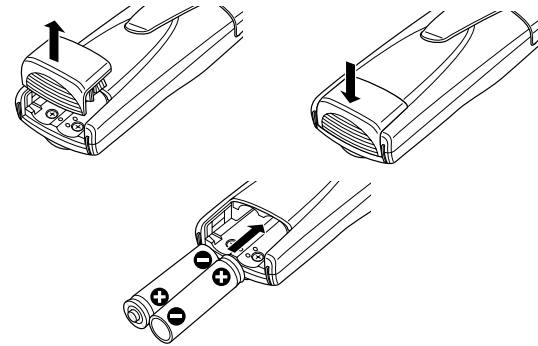
Setting up

Inside this package you will find:

- Casio DC5001 handset and belt clip.
- Charging Cradle.
- Power adaptor with cable attached.
- Users guide for the CASIO DC5000.

Installation

1. Install the rechargeable batteries (supplied) into the handset. Slide open the cover and insert as indicated on the label inside the battery compartment, then refit the cover.

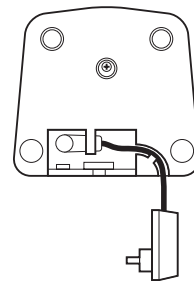


IMPORTANT — The batteries supplied with this product are rechargeable Ni-MH, 1300mAh. When replacing batteries, never use other types of batteries or conventional alkaline batteries.

2. Decide where you will locate the charging cradle. You can choose to place your charging cradle on a desk or attach it to a wall, whichever is the more convenient. Make sure the charging cradle is not placed in direct sunlight, or in a room with high humidity. It is also important to ensure that the cradle is located within range of the base station. I.E. in a location from where you can make calls from your existing handset.

Try not to place your charging cradle too close to existing electronic equipment (such as a phone, fax, answering machine, computer, TV and radio) as this may impair performance of the equipment. We recommend a distance of at least one metre.

3. Connect the power adaptor cable plug to the charging cradle. Use only the power adaptor — supplied with your charging cradle.
4. Fit the adaptor cable into the groove.
5. Slide the adaptor cable under the groove and gently tighten the loop.

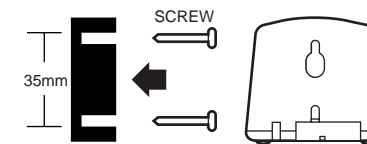


6. Plug the mains power adaptor into a (230V) mains socket and switch it on.
7. Place the handset into the charging cradle with the keypad facing towards the front. The charging light will come ON.
8. Charge the batteries for at least 16 hours. (16 hours charge time is required for the first charge, subsequent charges will take around 4 to 5 hours.)
9. Register the handset on to the Casio DC5000 base station.
 - Press and hold down PAGE (on the base) for longer than 5 seconds. The base will start to beep.
 - Press PROG on the handset to be registered.
 - Press the 8 button.
 - Select a base station number shown on the display 1-4. If you only have 1 base station, this should be 1.
 - Enter the 4-digit sys code (this will be the factory setting of 0000 unless you have changed this on your base unit).
 - Press PROG. The handset will now register with the base and the display will show the available handset numbers.
 - Select a number to be used for the handset from those shown on the display.

If you have problems with the installation of the cradle or registration of the handset, please call the helpline during office hours on 01438 749009.

Wall mounting the charging cradle

1. Before mounting the charging cradle on a wall, ensure that the handset is within range of your base station, when located in your chosen wall mounted position.
 - a) Follow the instructions given above, including the charging of the handset batteries and registering the handset on the base station.
 - b) Press the PAGE button on the base unit and within 30 seconds, hold the handset temporarily in your chosen location and ensure that it rings.
 - c) When you are confident that the handset is within range of the base when located in your chosen position, disconnect the adaptor plug from the mains wall socket and proceed as follows.
2. Secure the cradle to the wall using Brass round head size 10 screws, 1 1/4" in length (30mm). The screws should be fitted 35mm apart.



IMPORTANT — Before drilling the wall, check that there are no pipes or cables buried in the wall, that will be damaged by the drill. Do not drill directly above or below other electrical fittings unless you are sure that the cables to these are routed away from the drill position.

3. Mount the charging cradle on the screws.
4. Put your handset back in the charging cradle and switch the power on at the wall socket. The charging light should come on.